



Pendant stations for small hoist application, in single / double row or direct power circuits switchings and tail lift controls. page 12 to 25

Giovenzana International Company, leader in lifting equipment control, makes a wide range of standard products for all installation requirements, and all built to high quality specification and safety guidelines.

The Lift Equipment products series comply with: IEC 947-5-1, EN60947-5-1, UL508 and use: IEC 204-1, EN60204-1, EN ISO 13850, all achieved according to the needs and requirements of Cee 89/392.

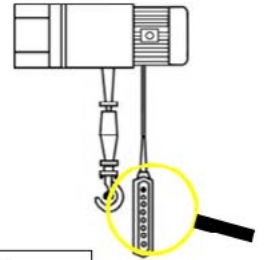
All operators are coloured and the laser-engraved, indelible legends comply with EN60204-1 and FEM 9.941. CERTIFICATIONS: The pendant stations P02, P03, HP03, PL series can be certificated cUL.

Use (recommended)	Line	Picture	Characteristic
<p>□ Hoist</p>	P02		Two push button pendant stations for small hoist : <ul style="list-style-type: none"> • single speed or two speed motor • direct motor control 1kW – 1speed • available in UL/CSA requirements
	page 12	<i>(item available in kit-form,; enclosure, contact block and operator available separately for customization)</i>	
	P03		Three push button pendant stations for small hoist: <ul style="list-style-type: none"> • single speed motor or two speed motor • direct motor control 1kW – 1speed • available in UL/CSA requirements
page 12	<i>(item available in kit-form,; enclosure, contact block and operator available separately for customization)</i>		
<p>□ Overhead crane</p>	HP03	<p><i>Ergonomic! design</i></p>	Ergonomic pendant stations for small hoist : <ul style="list-style-type: none"> • single speed motor • two speed motor • available in UL/CSA requirements • safety line available page 25
	page 12	<i>(item available in kit-form,; enclosure, contact block and operator available separately for customization)</i>	
	DC30		Pendant stations for high power hoist: <ul style="list-style-type: none"> • direct motor control single phase and three phase • lth 25A - 1phase/2poles 230...400V 2.2kW 3phase/3poles 230...400V 4kW <p><i>High power!</i></p>
page 12			
<p>□ Lifting platform □ Truck tails lift</p>	PL		SINGLE-row pendant stations for crane control circuits: <ul style="list-style-type: none"> • single speed motor or two-speed motor • available in different configuration with 5-7-8-10-12 holes • available in UL/CSA requirements
	page 14	<i>(item available in kit-form,; enclosure, contact block and operator available separately for customization)</i>	
	PLB		DOUBLE-row pendant stations for crane control circuits: <ul style="list-style-type: none"> • single speed motor • two speed motor • available in different configuration with 4-6-8-10-12-14 holes
page 15	<i>(item available in kit-form,; enclosure, contact block and operator available separately for customization)</i>		
	TLP		Compact pendant stations for lifting platform and tails lift application (pendant or wall fixing)
	page 16	<i>(item available in kit-form,; enclosure, contact block and operator available separately for customization)</i>	

Pendant stations



Hoist control: **P02 P03 HP03 DC30**



LIFTING EQUIPMENT

Characteristics:

- Bi-directional, mechanically interlocked
- IP 65 double insulation IEC/EN60529
- General and electrical data page 23
- Laser engraved symbols comply with EN60204-1, FEM 9.941
- Shock proof and heat resistant



P02



P03



HP03



DC30

PICTURE	LAYOUT	CONFIGURATION	CODE	CONTACT TYPE		WEIGHT [gr]
				↑	↓	
		SINGLE SPEED (* TILTING BUTTON 1bA - 250Vac ½ HP)	P02.RM			230
		SINGLE SPEED	P02.1			230
			P02.2			250
			P02.4			250
			P02.CD	(* HIGH POWER CONTACTS DIRECT MOTOR CONTROL 1Kw 1ph		
	TWO SPEED	P02.D2			250	
		SINGLE SPEED	P03.1			440
			P03.2			450
			P03.3			460
			P03CD	(* HIGH POWER CONTACTS DIRECT MOTOR CONTROL 1Kw 1ph		
		TWO SPEED	P03D2			460
		SINGLE SPEED	HP03			330
		TWO SPEED	HP03.D2			350
		SINGLE SPEED	DC30			600
			DC30.RG			600
			DC30.GE			600
		TWO SPEED	DC30D2			650

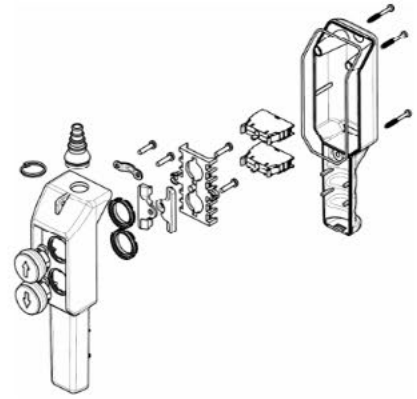
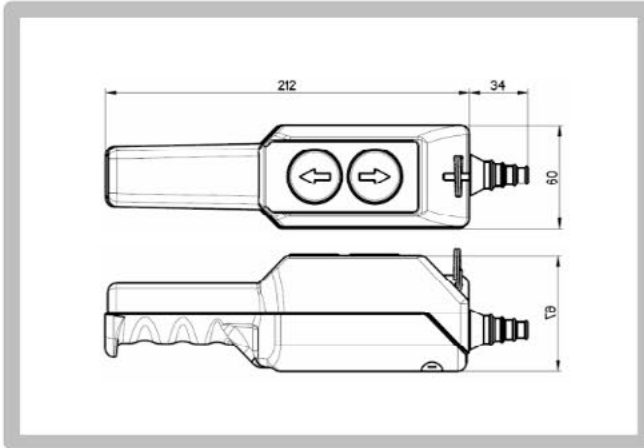
Pendant stations



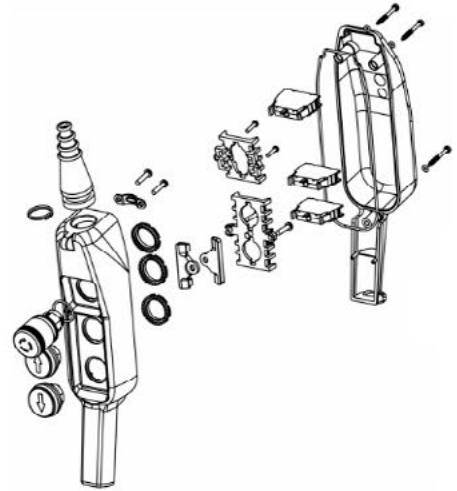
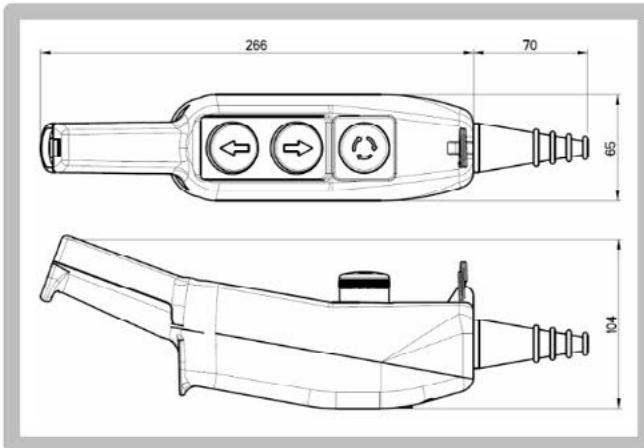
Dimensions: **P02 P03 HP03 DC30**

LIFTING EQUIPMENT

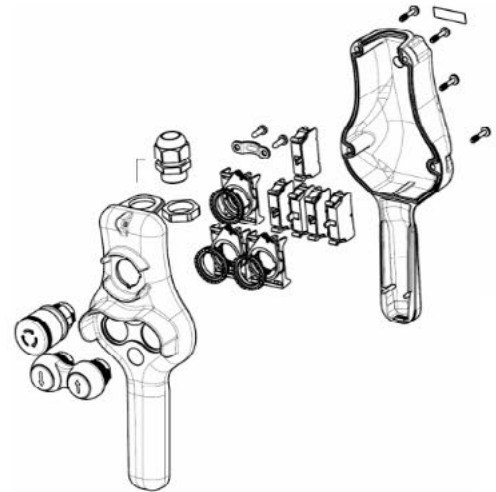
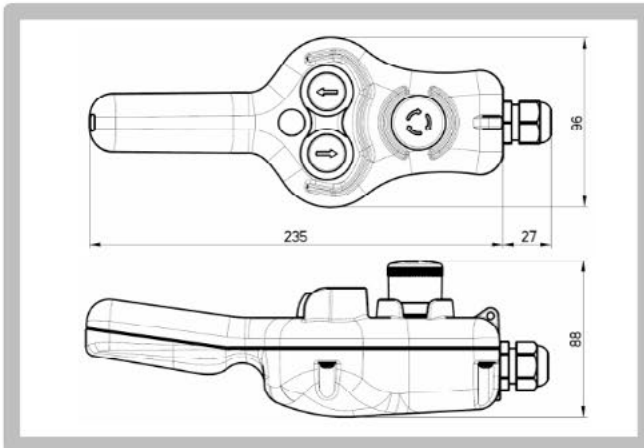
P02



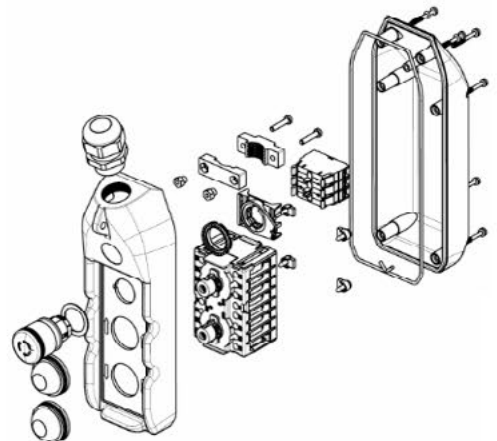
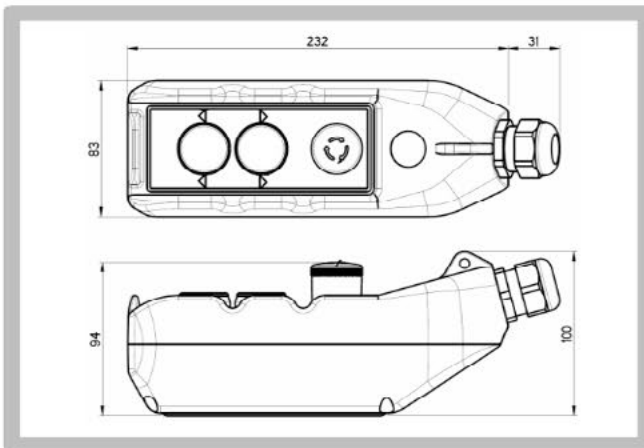
P03



HP03



DC30



Pendant Stations

cranes control circuits: **PL**



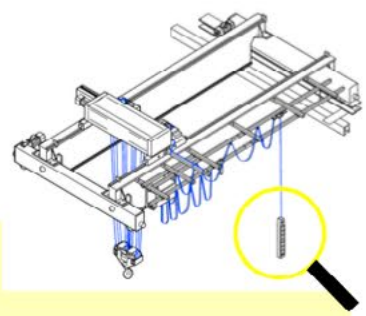
LIFTING EQUIPMENT



KIT Available - See pg. 12
 Available in UL/CSA req.

Characteristics:

- Bi-directional, mechanically interlocked
- IP 65 double insulation IEC/EN60529
- General and electrical data page 23
- Laser engraved symbols comply with EN60204-1, FEM 9.941
- Shock proof and heat resistant
- Available in UL/CSA requirements



CODE	PL05	PL05D2	PL05D4	PL07	PL07D2	PL07D4	PL07D6	PL08	PL08D2	PL08D4	PL08D6	PL10	PL12
weight [gr.]	560	590	620	740	770	800	830	830	860	890	920	990	1.140
N° push button	5	5	5	7	7	7	7	8	8	8	8	10	12

LAYOUT

L length [mm]

DIMENSIONS

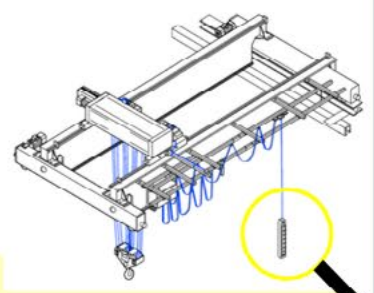
PUSH BUTTON TYPE – CONTACT TYPE COUPLED

Pendant Stations

cranes control circuits: **PLB**



KIT Available See pg. 18

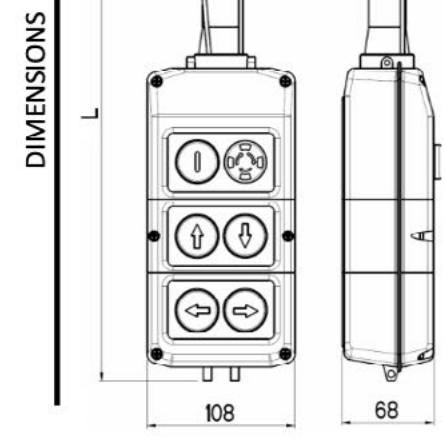
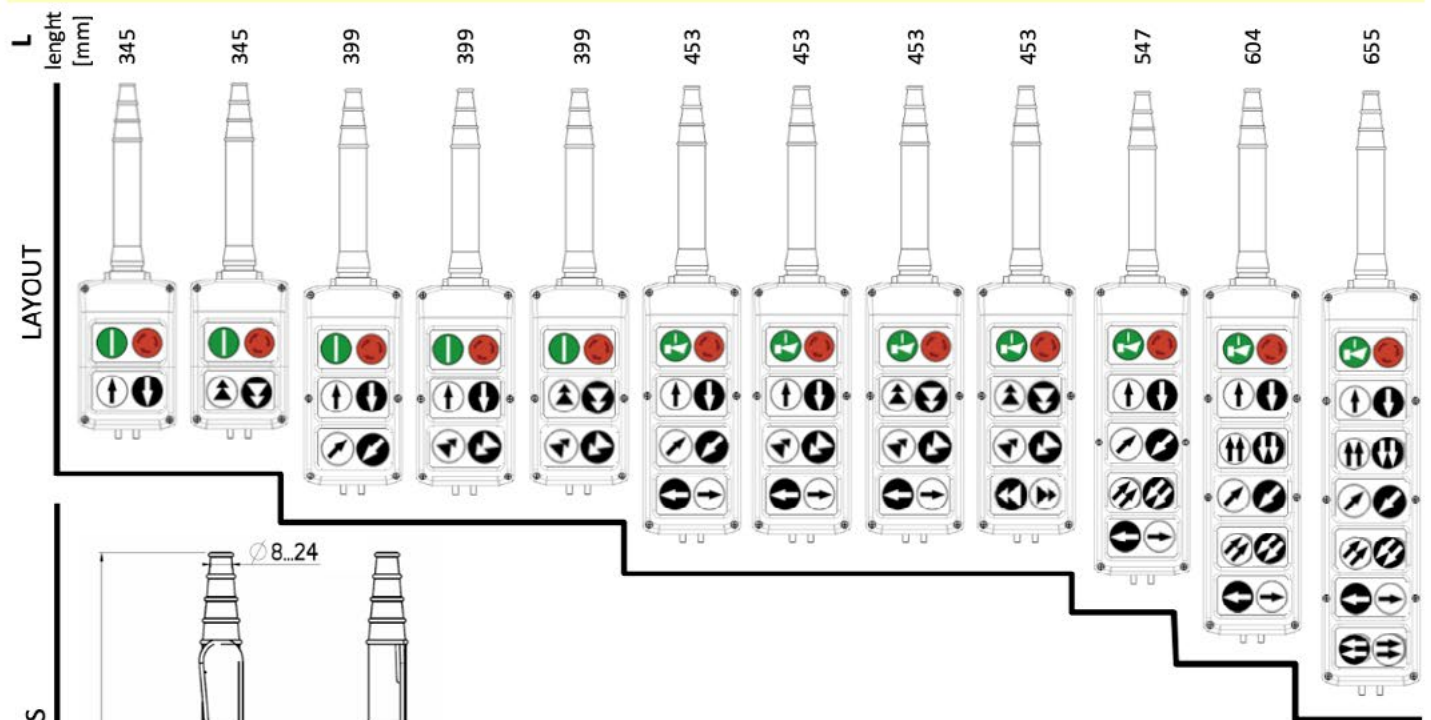


LIFTING EQUIPMENT

Characteristics:

- Bi-directional, mechanically interlocked
- IP 65 double insulation IEC/EN60529
- General and electrical data page 23
- Laser engraved symbols comply with EN60204-1, FEM 9.941
- Shock proof and heat resistant

CODE	PLB04	PLB04D2	PLB06	PLB06D2	PLB06D4	PLB08	PLB08D2	PLB08D4	PLB08D6	PLB10	PLB12	PLB14
weight [gr.]	560	590	620	770	800	830	830	860	890	920	990	1.140
N° push button	4	4	6	6	6	8	8	8	8	10	12	14



TIPO DI PULSANTE – TIPO DI CONTATTO ABBINATO

(*) two speed contact block



LIFTING EQUIPMENT

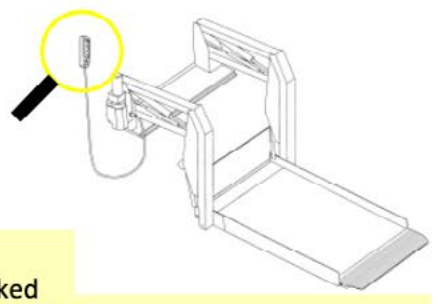
KIT Available See pag. 18



MOBILE-PENDANT FIXING (with WALL BRACKET accessories) WALL FIXING

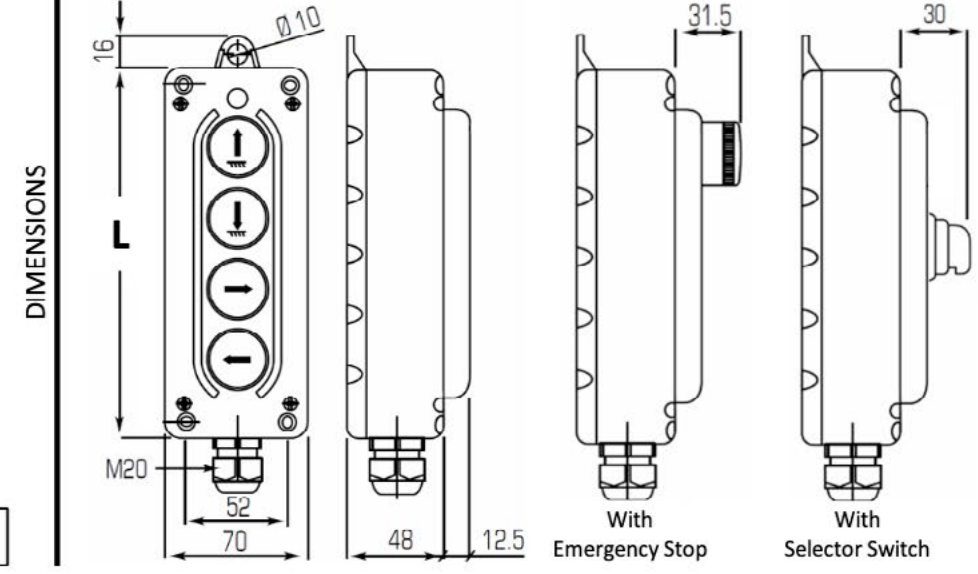
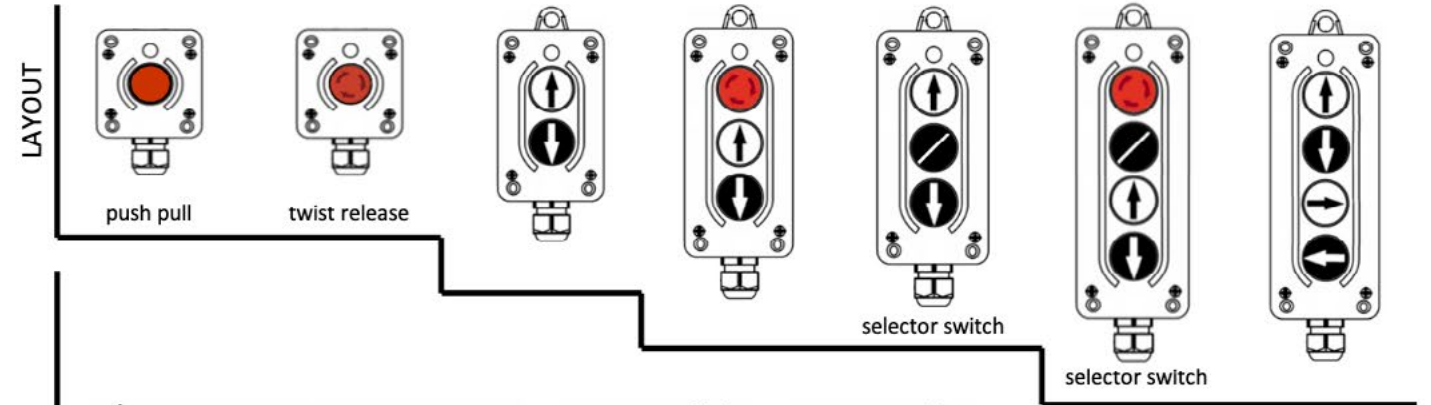
Characteristics:

- Compact and modern design
- Bi-directional, mechanically interlocked
- IP 65 double insulation IEC/EN60529
- General and electrical data page 23
- Laser engraved symbols comply with EN60204-1, FEM 9.941
- Contact block with spring cage terminal
- Shock proof and heat resistant
- Mobile-Pendant (with wall bracket accessories) or wall fixed mounting



CODE	TLP1.EPP	TLP1.ESR	TLP2	TLP3.B	TLP3.D	TLP4.E	TLP4.C
------	----------	----------	------	--------	--------	--------	--------

weight [gr.]	120	120	200	255	255	314	314
N° push button	1	1	2	3	3	4	4
Lenght [mm]	80	80	115	150	150	185	185



PUSH BUTTON TYPE CONTACT TYPE COUPLED



Note: P02 – P03 – HP03 – PL line available in UL/CSA requirements

General characteristics		P02 – P03 – HP03 – PL – PLB – TLP										DC30	
In conformity to standards		IEC / EN60947-5-1										IEC / EN60947-3	
Material		P02	P03	HP03	PL	PLB	TLP						ABS
		PP	ABS	ABS	ABS	ABS	PP						
Material group		II										II	
Pollution class		3										3	
Climate temperature	operating	-25°C + 70°C										-25°C + 70°C	
	storage	-30°C + 70°C										-30°C + 70°C	
Climate resistance	IEC68 part 2-3	hot damp										hot damp	
	IEC68 part 2-30	unsettled hot damp										unsettled hot damp	
Cable entry		<ul style="list-style-type: none"> ▪ P02 – P03: rubber cable sleeve Ø7...18mm ▪ PL – PLB: rubber cable sleeve Ø9...24mm ▪ HP03 – TLP: cable gland M20 										cable gland M25	
Electrical characteristics contact blocks		P02 – P03 – HP03 – PL – PLB – TLP										DC30	
Markings													
Rated insulation voltage [Ui]		690V										500V	
Rated thermal current [Ith]		16A										25A	
Rated impulse withstand voltage [Uimp]		4kV										4kV	
Frequency		50Hz – 50/60 Hz type PCW (HP03-TLP)										50Hz	
Rated operating current [Ie]													
AC-15 alternate current		(V)	24	60	110	240	400	440	500	690			
	type: PL004.. P02/P03/DC30 e-stop/PL/PLB	(A)	16	12	8	6	4	3.5	3	1	-		
	type: PCW.. HP03-TLP	(A)	10	8	6	5	4	4	4	2	-		
DC-13 direct current		(V)	24	48	60	110	220	250					
	type: PL004.. P02/P03/DC30 e-stop/PL/PLB	(A)	2	1.2	0.85	0.4	0.25	-					
	type: PCW.. HP03-TLP	(A)	2	2	1	0.4	-	0.4					
AC-3 alternate current	1phase-2poles 230V-400V	-										2.2kW	
	3phase-3poles 230V-400V	-										3kW	
Conditional short circuit withstand current		1000A										1000A	
Fuse rating		gG 10A - 500V										aM 12A - 500V	
Contact insulation resistance		≤ 25mΩ										-	
Switching mechanism	type: PL004.. P02/P03/DC30 e-stop/PL/PLB	slow break double gap contacts single pad										slow break double gap contacts single pad	
	type: PCW.. HP03-TLP	slow break double gap contacts three pads											
Positive operation		NC contact block										-	
Terminal type	type: PL004.. P02/P03/DC30 e-stop/PL/PLB	M3.5 screw										M3.5 screw	
	type: PCW.. HP03-TLP	spring cage terminal											
Terminal capacity	type: PL004.. P02/P03/DC30 e-stop/PL/PLB	No. 1 or 2 flexible and solid conductor min 1 max 2.5 mm ²										No. 1 or 2 flexible and solid conductor min 1 max 2.5 mm ²	
	type: PCW.. HP03-TLP	No. 1 or 2 flexible and solid conductor min 0.5 max 2.5 mm ²											
UL508 characteristics													
General use		600V ac										16A	
Designation code (HD) Heavy Duty		A600-Q600										-	